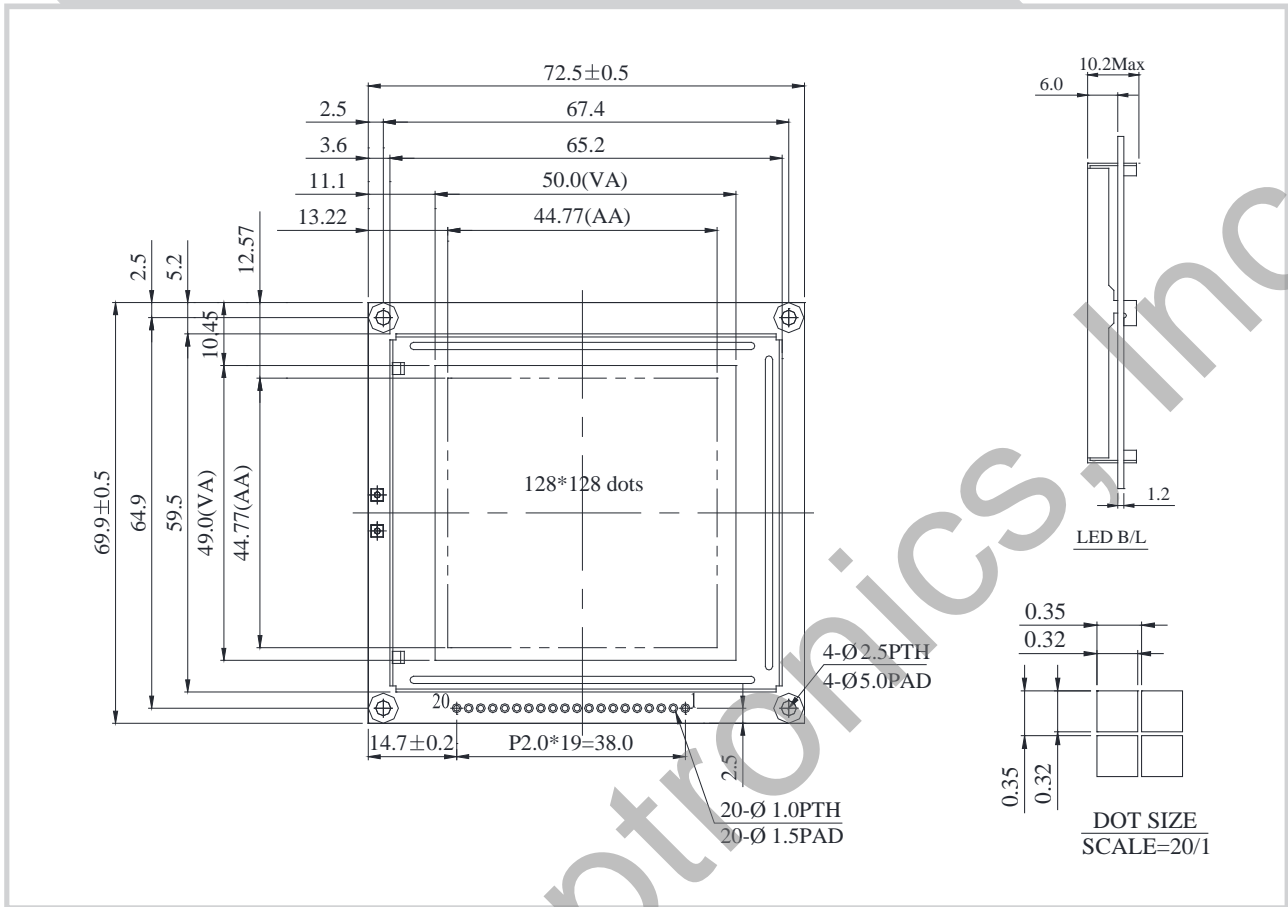


RG128128I Graphic 128x128 dots



Feature

1. Built-in controller RA6963 or Equivalent
2. 1/128 duty cycle
3. N.V. optional
4. 5V power supply
5. Same size with RG128128B
6. Interface: 8080

Pin No.	Symbol	Description
1	DB0	Data bus line
2	DB1	Data bus line
3	DB2	Data bus line
4	DB3	Data bus line
5	DB4	Data bus line
6	DB5	Data bus line
7	DB6	Data bus line
8	DB7	Data bus line
9	C/D	Data/ Instruction select signal
10	/RD	Data read. Read data from LCD Controller
11	/WR	Data write. Write data into LCD Controller
12	/CE	Enable signal
13	/RST	Controller reset signal, Active Low
14	V _O	Contrast Adjustment
15	V _{DD}	Power supply for logic
16	V _{SS}	Ground
17	V _{EE}	Negative Voltage Output
18	NC/FS	No connection
19	A	Power supply for B/L +
20	K	Power supply for B/L -

Mechanical Data

Item	Standard Value	Unit
Module Dimension	72.5 x 69.9	mm
Viewing Area	50.0 x 49.0	mm
Mounting Hole	67.4 x 64.9	mm
Dot Pitch	0.35 x 0.32	mm
Dot Size	0.32 x 0.32	mm

Electrical Characteristics

Item	Symbol	Standard Value	Unit
		typ.	
Input Voltage	VDD	5.0	V
Recommended LCD Driving Voltage for Normal Temp. Version module @25°C	VDD-VO	16.30	V