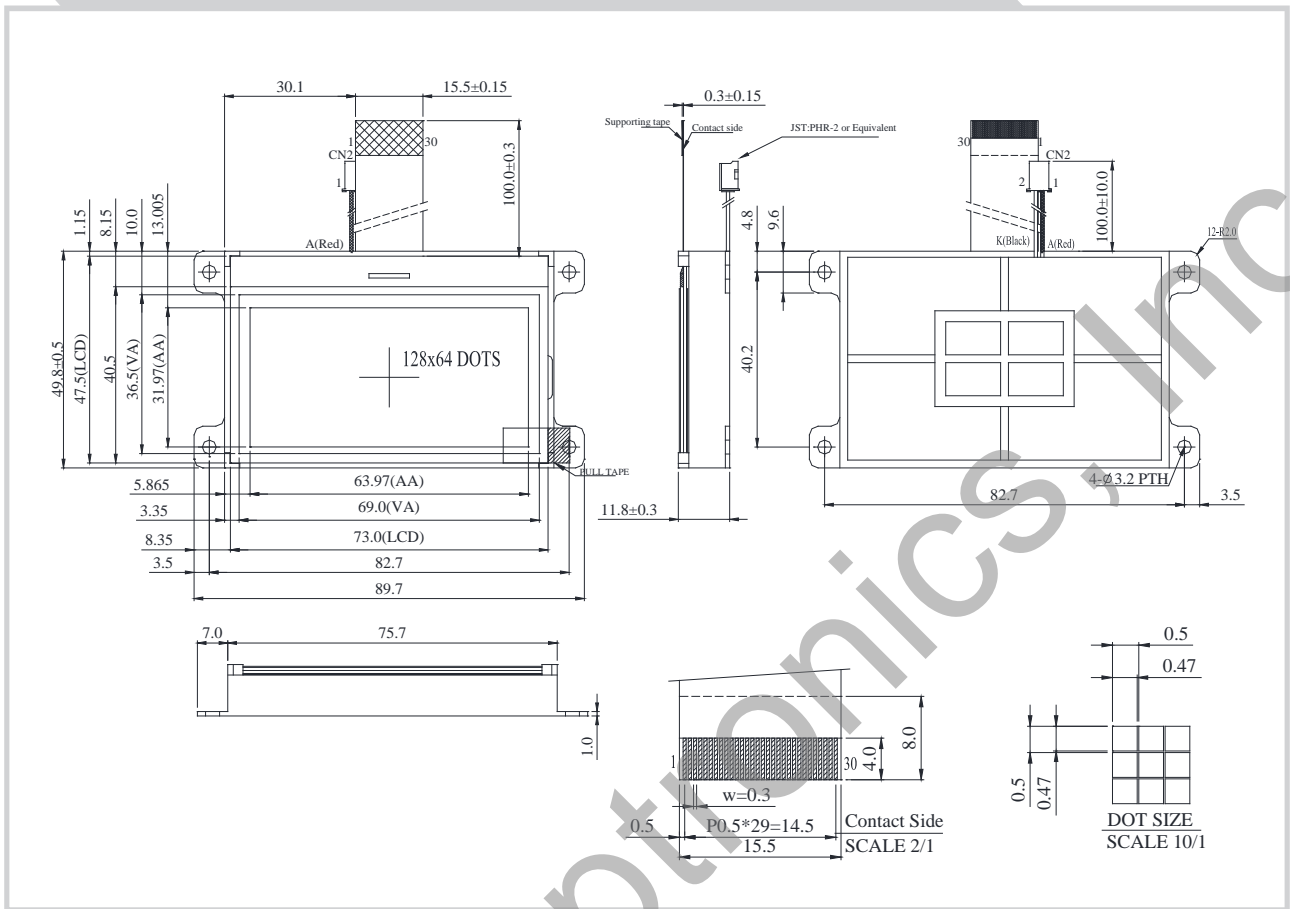


# RX12864B Graphic 128x64 dots



## Feature

1. Built-in controller ST7565P or Equivalent
2. 3.3V power supply
3. 1/65 duty cycle
4. Interface: 6800/8080/SPI/I2C
5. RX12864B1: thickness 6.0mm

Pin No.	Symbol	Description
1	/CS1B	This is the chip select signal.
2	/RES	Controller reset signal, Active Low
3	A0	Data/ Instruction select signal
4	/WR(R/W)	8080 family: Write signal, 6800 family: Read/Write signal
5	/RD(E)	8080 family: Read signal, 6800 family: Enable clock
6-13	D0-D7	Data bus line
14	V <sub>DD</sub>	Power supply for logic
15	V <sub>SS</sub>	Ground
16	V <sub>out</sub>	Positive Voltage output
17	CAP3P	DC/DC voltage converter.
18	CAP1N	DC/DC voltage converter.
19	CAP1P	DC/DC voltage converter.
20	CAP2P	DC/DC voltage converter.
21	CAP2N	DC/DC voltage converter.
22-26	V4- V0	Bias voltage levels for LCD driving
27	VR	LCD Contrast Adjustment when IRS = "L"
28	C86	Interface selection 6800/8080
29	P/S	Selects the interface type: Serial or Parallel.
30	NC	No connection

## Mechanical Data

Item	Standard Value	Unit
Module Dimension	89.7 x 49.8	mm
Viewing Area	69.0 x 36.5	mm
Mounting Hole	82.7 x 40.2	mm
Dot Pitch	0.50 x 0.50	mm
Dot Size	0.47 x 0.47	mm

## Electrical Characteristics

Item	Symbol	Standard Value	Unit
		typ.	
Input Voltage	VDD	3.0	V
Recommended LCD Driving Voltage for Normal Temp. Version module @25°C	V <sub>o</sub> -V <sub>ss</sub>	9.45	V