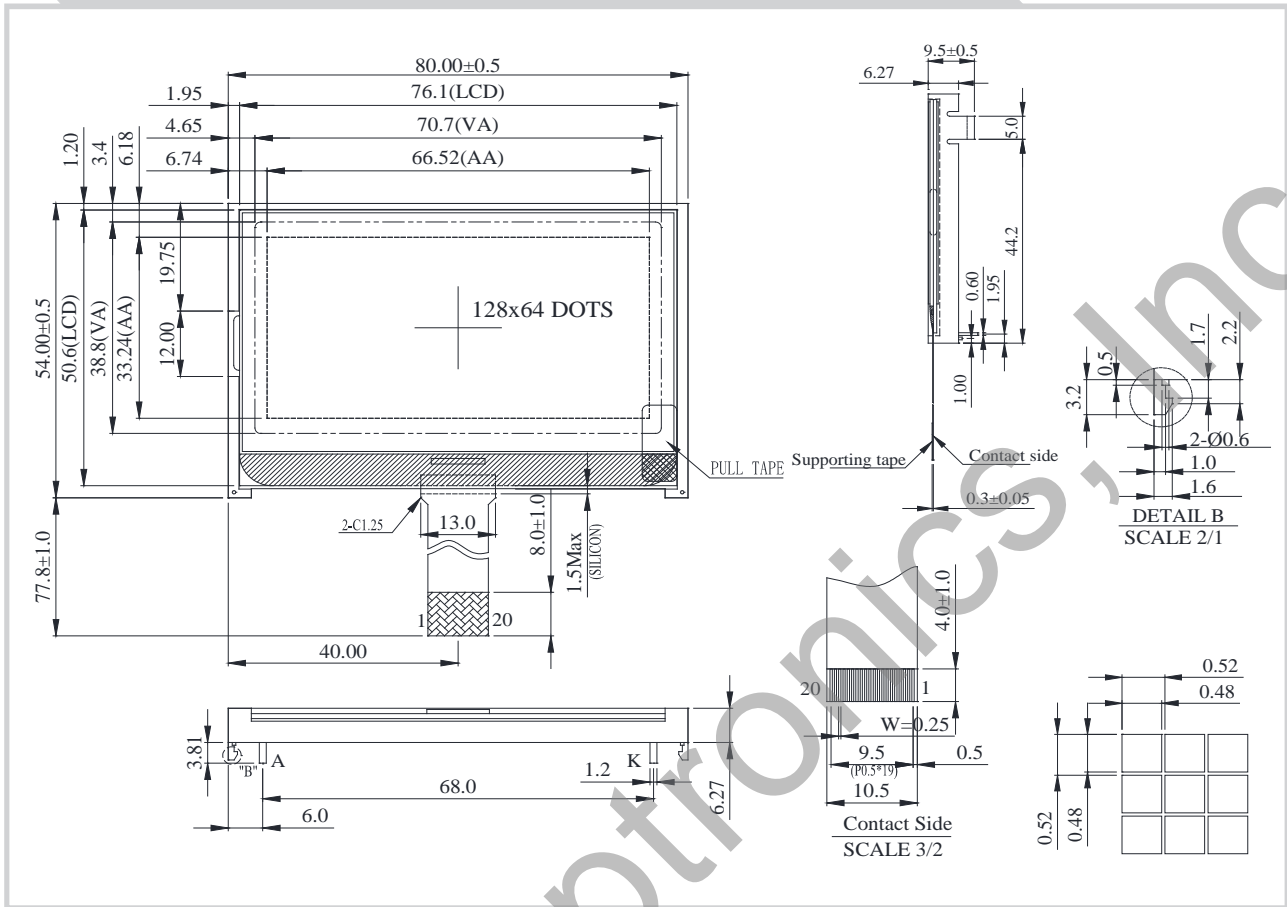


# RX12864H Graphic 128x64 dots



## Feature

1. Built-in controller ST7567-G or Equivalent
2. 3.3V power supply
3. 1/65 duty cycle, 1/9 bias
4. Interface: 6800/8080/SPI

Pin No.	Symbol	Description
1	PSB	Selects the interface type: Serial or Parallel.
2	C86	Interface selection 6800/8080
3	VG	VG is the power of SEG-drivers.
4	XV0	Negative operating voltage of COM-drivers.
5	V0	Bias voltage levels for LCD driving
6	V <sub>SS</sub>	Ground
7	V <sub>DD</sub>	Power supply for logic
8	D7	Data bus line
9	D6	Data bus line
10	D5	Data bus line
11	D4	Data bus line
12	D3	Data bus line
13	D2	Data bus line
14	D1	Data bus line
15	D0	Data bus line
16	ERD	8080 family: Read signal, 6800 family: Enable clock
17	RWR	8080 family: Write signal, 6800 family: Read/Write signal
18	A0	Data/ Instruction select signal
19	RSTB	Controller reset signal, Active Low
20	CSB	Chip select input pins

## Mechanical Data

Item	Standard Value	Unit
Module Dimension	80.0 x 54.0	mm
Viewing Area	70.7 x 38.8	mm
Dot Pitch	0.52 x 0.52	mm
Dot Size	0.48 x 0.48	mm

## Electrical Characteristics

Item	Symbol	Standard Value	Unit
		typ.	
Input Voltage	VDD	3.0	V
Recommended LCD Driving Voltage for Normal Temp. Version module @25°C	XV0-V0	10.0	V