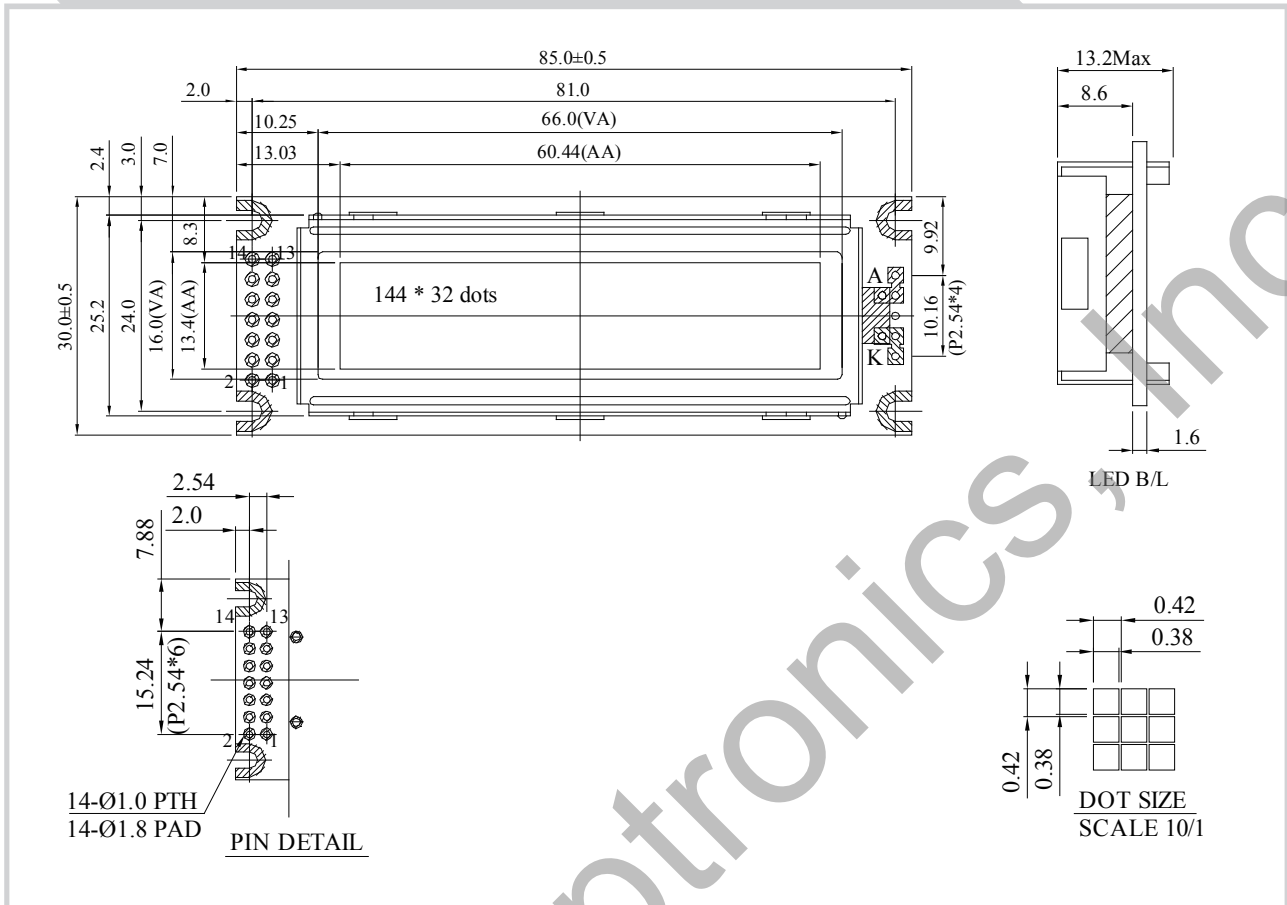


RG14432D Graphic 144x32 dots



Feature

1. Built-in controller ST7920
2. 1/32 duty cycle
3. 5V power supply
4. Internal boost option
5. Chinese version
6. Same size with RC1602D
7. Interface: 6800/SPI

Pin No.	Symbol	Description
1	V _{DD}	Power supply for logic
2	V _{SS}	Ground
3	V _O	Contrast Adjustment
4	RS	Data/ Instruction select signal
5	R/W	Read/Write select signal
6	E	Enable signal
7	DB0	Data bus line
8	DB1	Data bus line
9	DB2	Data bus line
10	DB3	Data bus line
11	DB4	Data bus line
12	DB5	Data bus line
13	DB6	Data bus line
14	DB7	Data bus line

Mechanical Data

Item	Standard Value	Unit
Module Dimension	85.0 x 30.0	mm
Viewing Area	66.0 x 16.0	mm
Mounting Hole	81.0 x 25.2	mm
Dot Pitch	0.42 x 0.42	mm
Dot Size	0.38 x 0.38	mm

Electrical Characteristics

Item	Symbol	Standard Value	Unit
		typ.	
Input Voltage	V _{DD}	3/5	V
Recommended LCD Driving Voltage for Normal Temp. Version module @25°C	V _O -V _{SS}	4.40	V