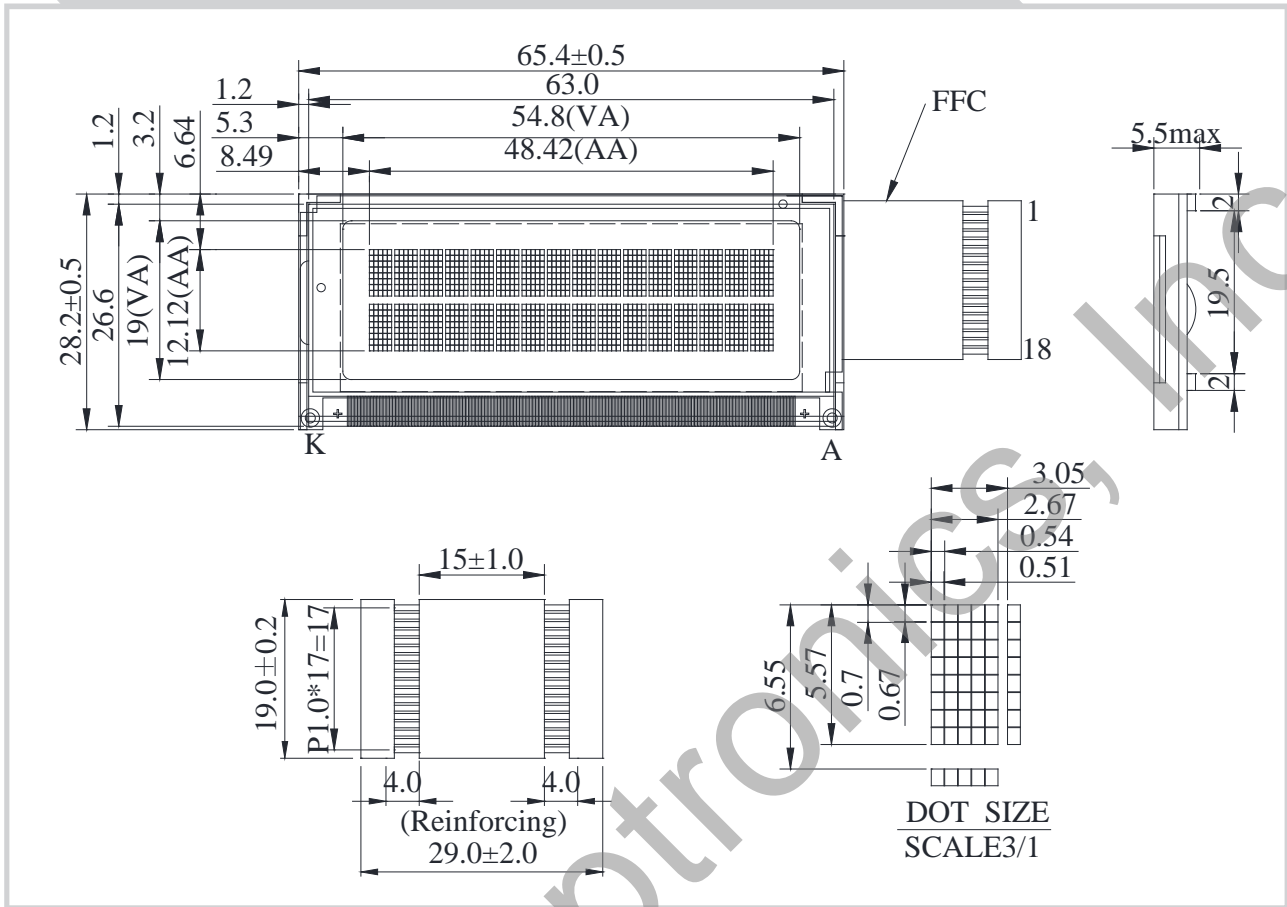


**RC1602I Character 16x2**



**Feature**

1. 5x8 dots includes cursor
2. Built-in controller ST7066 or Equivalent
3. 5V power supply only
4. N.V, optional for 3V power supply
5. 1/16 duty cycle
6. White LED B/L not available
7. Interface : 6800, option SPI/I2C (RW1063 IC)

Pin No.	Symbol	Description
1	V <sub>DD</sub>	Power supply for logic
2	V <sub>SS</sub>	Ground
3	V <sub>O</sub>	Contrast Adjustment
4	NC	No connection
5	NC	No connection
6	RS	Data/ Instruction select signal
7	RW	Read/Write select signal
8	E	Enable signal
9	DB0	Data bus line
10	DB1	Data bus line
11	DB2	Data bus line
12	DB3	Data bus line
13	DB4	Data bus line
14	DB5	Data bus line
15	DB6	Data bus line
16	DB7	Data bus line
17	A	Power supply for B/L +
18	K	Power supply for B/L -

**Mechanical Data**

Item	Standard Value	Unit
Module Dimension	65.4 x 28.2	mm
Viewing Area	54.8 x 19.0	mm
Character Size	2.67 x 0.54	mm

**Electrical Characteristics**

Item	Symbol	Standard Value	Unit
		typ.	
Input Voltage	V <sub>DD</sub>	5.0	V
Recommended LCD Driving Voltage for Normal Temp. Version module @25°C	V <sub>DD</sub> -V <sub>O</sub>	4.20	V

**Display Character Address Code**

Display position	1	2	3	4	5	6	7	8	9	10	11	12	13	14	15	16	
DD RAM Address	00	01	02													0E	0F
DD RAM Address	40	41	42													4E	4F