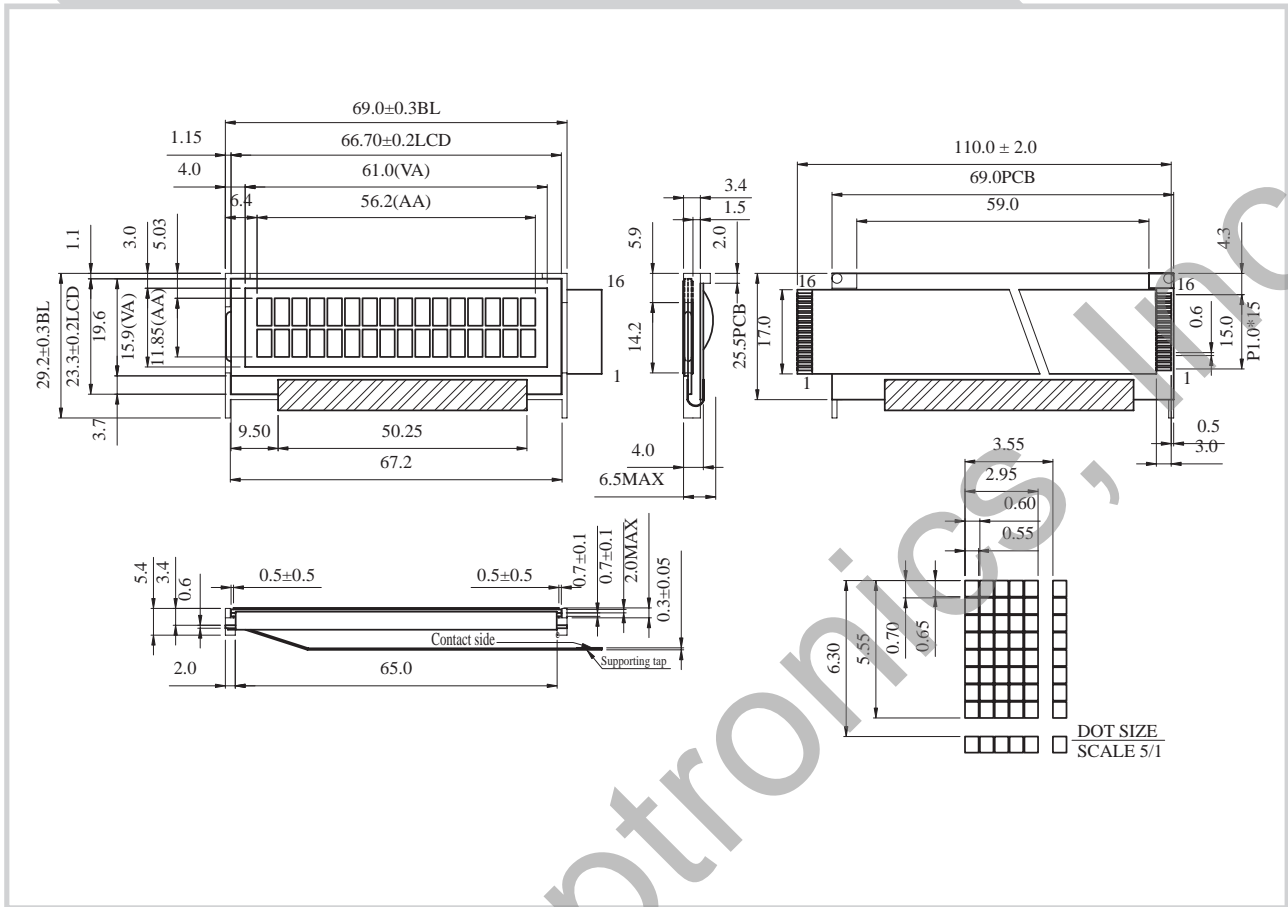


RC1602M2 Character 16x2



Feature

1. 5x8 dots includes cursor
2. Built-in controller ST7066 or Equivalent
3. 5V power supply only
4. 1/16 duty cycle
5. Interface : 6800, option SPI/I2C (RW1063 IC)

| Pin No. | Symbol | Description |
|---------|-----------------|---------------------------------|
| 1 | V _{SS} | Ground |
| 2 | V _{DD} | Power supply for logic |
| 3 | V _O | Contrast Adjustment |
| 4 | RS | Data/ Instruction select signal |
| 5 | R/W | Read/Write select signal |
| 6 | E | Enable signal |
| 7 | DB0 | Data bus line |
| 8 | DB1 | Data bus line |
| 9 | DB2 | Data bus line |
| 10 | DB3 | Data bus line |
| 11 | DB4 | Data bus line |
| 12 | DB5 | Data bus line |
| 13 | DB6 | Data bus line |
| 14 | DB7 | Data bus line |
| 15 | A | Power supply for B/L + |
| 16 | K | Power supply for B/L - |

Mechanical Data

| Item | Standard Value | Unit |
|------------------|----------------|------|
| Module Dimension | 69.0 x 29.2 | mm |
| Viewing Area | 61.0 x 15.9 | mm |
| Character Size | 2.95 x 5.55 | mm |

Electrical Characteristics

| Item | Symbol | Standard Value | Unit |
|---|-------------------------------|----------------|------|
| | | typ. | |
| Input Voltage | V _{DD} | 5.0 | V |
| Recommended LCD Driving Voltage for Normal Temp. Version module @25°C | V _{DD-V_O} | 4.20 | V |