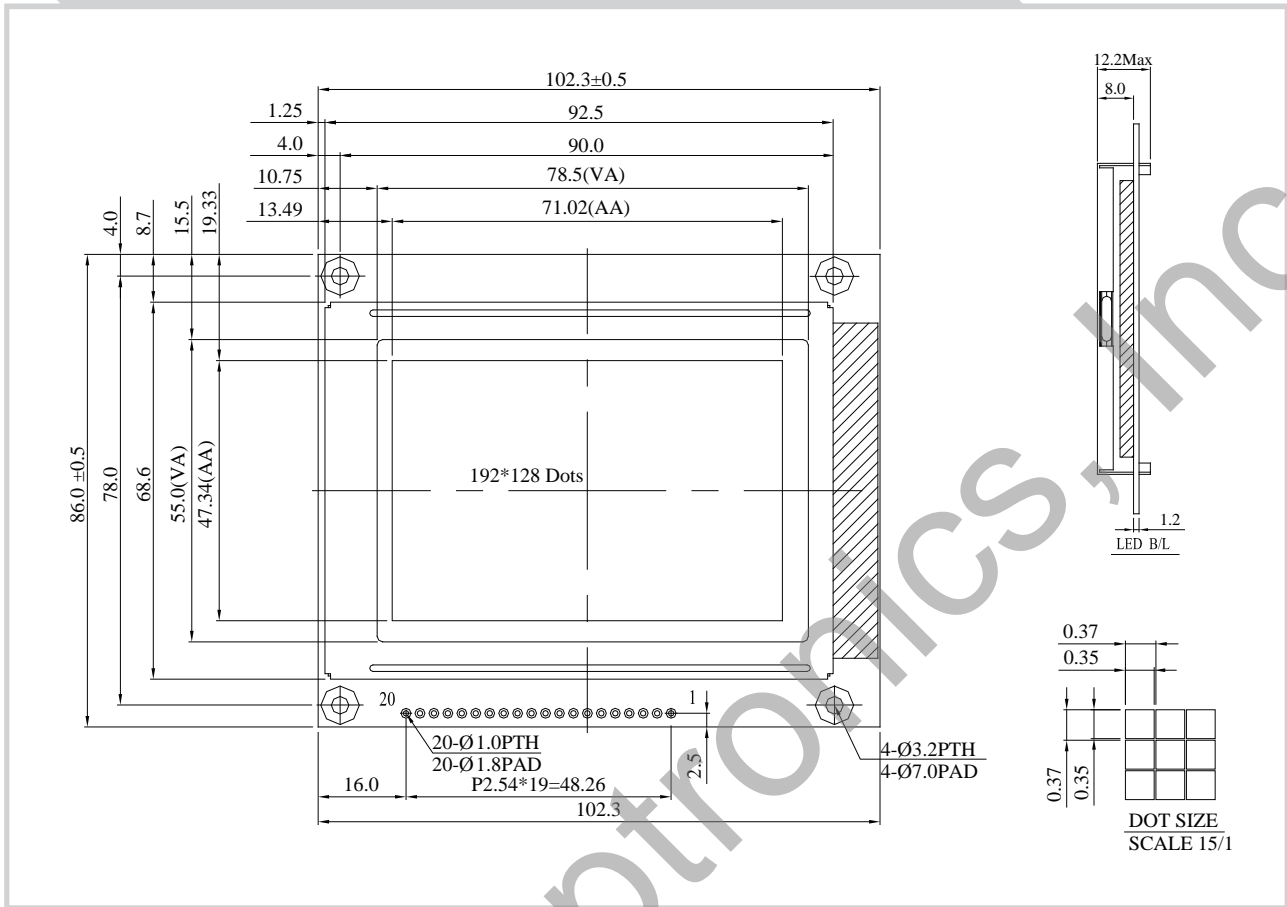


RG192128C Graphic 192x128 dots



Feature

1. Built-in controller RA6963 or Equivalent
2. 1/128 duty
3. 5V power supply
4. Same size with RG192128A
5. Interface: 8080

Pin No.	Symbol	Description
1	Vss	Ground
2	Vdd	Power supply for logic
3	Vo	Contrast Adjustment
4	C/D	Data/ Instruction select signal
5	/RD	Data read. Read data from LCD Controller
6	/WR	Data write. Write data into LCD Controller
7	DB0	Data bus line
8	DB1	Data bus line
9	DB2	Data bus line
10	DB3	Data bus line
11	DB4	Data bus line
12	DB5	Data bus line
13	DB6	Data bus line
14	DB7	Data bus line
15	/CE	Enable signal
16	/RST	Controller reset signal, Active Low
17	Vee	Negative Voltage Output
18	NC	No connection
19	A	Power supply for B/L +
20	K	Power supply for B/L -

Mechanical Data

Item	Standard Value	Unit
Module Dimension	102.3 x 86.0	mm
Viewing Area	78.5 x 55.0	mm
Mounting Hole	90.0 x 78.0	mm
Dot Pitch	0.37 x 0.37	mm
Dot Size	0.35 x 0.35	mm

Electrical Characteristics

Item	Symbol	Standard Value	Unit
		typ.	
Input Voltage	VDD	5.0	V
Recommended LCD Driving Voltage for Normal Temp. Version module @25°C	VDD-VO	15.2	V