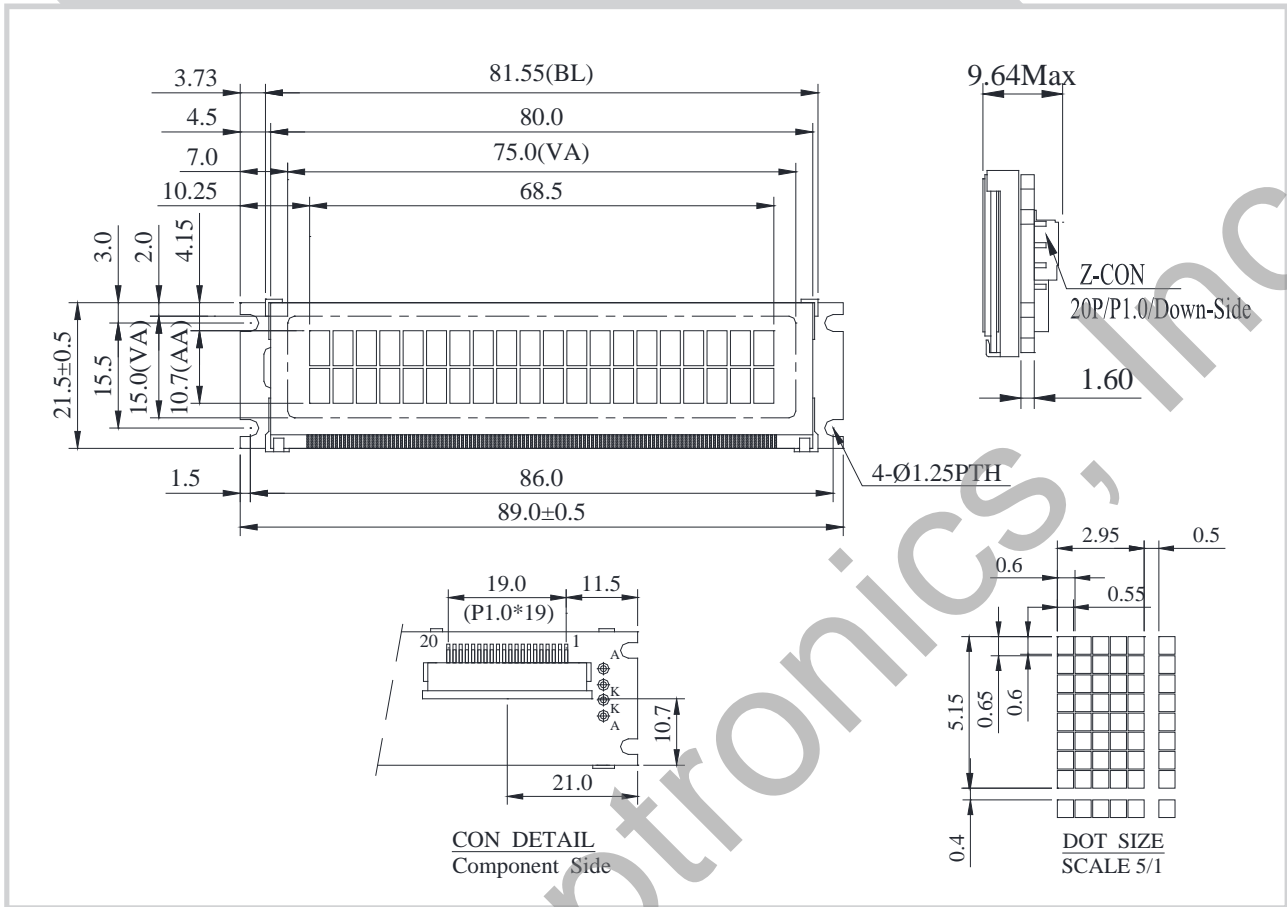


RC2002B Character 20x2



Feature

1. 5x8 dots includes cursor
2. Built-in controller ST7066 or Equivalent
3. 5V power supply (Also available for 3V)
4. N.V, optional for 3V power supply
5. 1/16 duty cycle
6. LED can be driven by PIN17, PIN18
7. Interface : 6800, option SPI/I2C (RW1063 IC)

Mechanical Data

| Item | Standard Value | Unit |
|------------------|----------------|------|
| Module Dimension | 89.0 x 21.5 | mm |
| Viewing Area | 75.0 x 15.0 | mm |
| Mounting Hole | 86.0 x 15.5 | mm |
| Character Size | 2.95 x 5.15 | mm |

| Pin No. | Symbol | Description |
|---------|-------------------|---------------------------------|
| 1 | NC | No connection |
| 2 | NC | No connection |
| 3 | V _{SS} | Ground |
| 4 | V _{DD} | Power supply for logic |
| 5 | V _O | Contrast Adjustment |
| 6 | RS | Data/ Instruction select signal |
| 7 | R/W | Read/Write select signal |
| 8 | E | Enable signal |
| 9 | DB0 | Data bus line |
| 10 | DB1 | Data bus line |
| 11 | DB2 | Data bus line |
| 12 | DB3 | Data bus line |
| 13 | DB4 | Data bus line |
| 14 | DB5 | Data bus line |
| 15 | DB6 | Data bus line |
| 16 | DB7 | Data bus line |
| 17 | V _{LED+} | Power supply for B/L + |
| 18 | V _{LED-} | Power supply for B/L - |
| 19 | NC | No connection |
| 20 | NC | No connection |

Electrical Characteristics

| Item | Symbol | Standard Value | Unit |
|---|--------|----------------|------|
| | | typ. | |
| Input Voltage | VDD | 3/5 | V |
| Recommended LCD Driving Voltage for Normal Temp. Version module @25°C | VDD-VO | 4.20 | V |

Display Character Address Code

| | | | | | | | | | | | | | | | | | | | | | |
|------------------|----|----|---|---|---|---|---|---|---|----|----|----|----|----|----|----|----|----|----|----|----|
| Display position | 1 | 2 | 3 | 4 | 5 | 6 | 7 | 8 | 9 | 10 | 11 | 12 | 13 | 14 | 15 | 16 | 17 | 18 | 19 | 20 | |
| DD RAM Address | 00 | 01 | | | | | | | | | | | | | | | | | | 0F | 13 |
| DD RAM Address | 40 | 41 | | | | | | | | | | | | | | | | | | 4F | 53 |