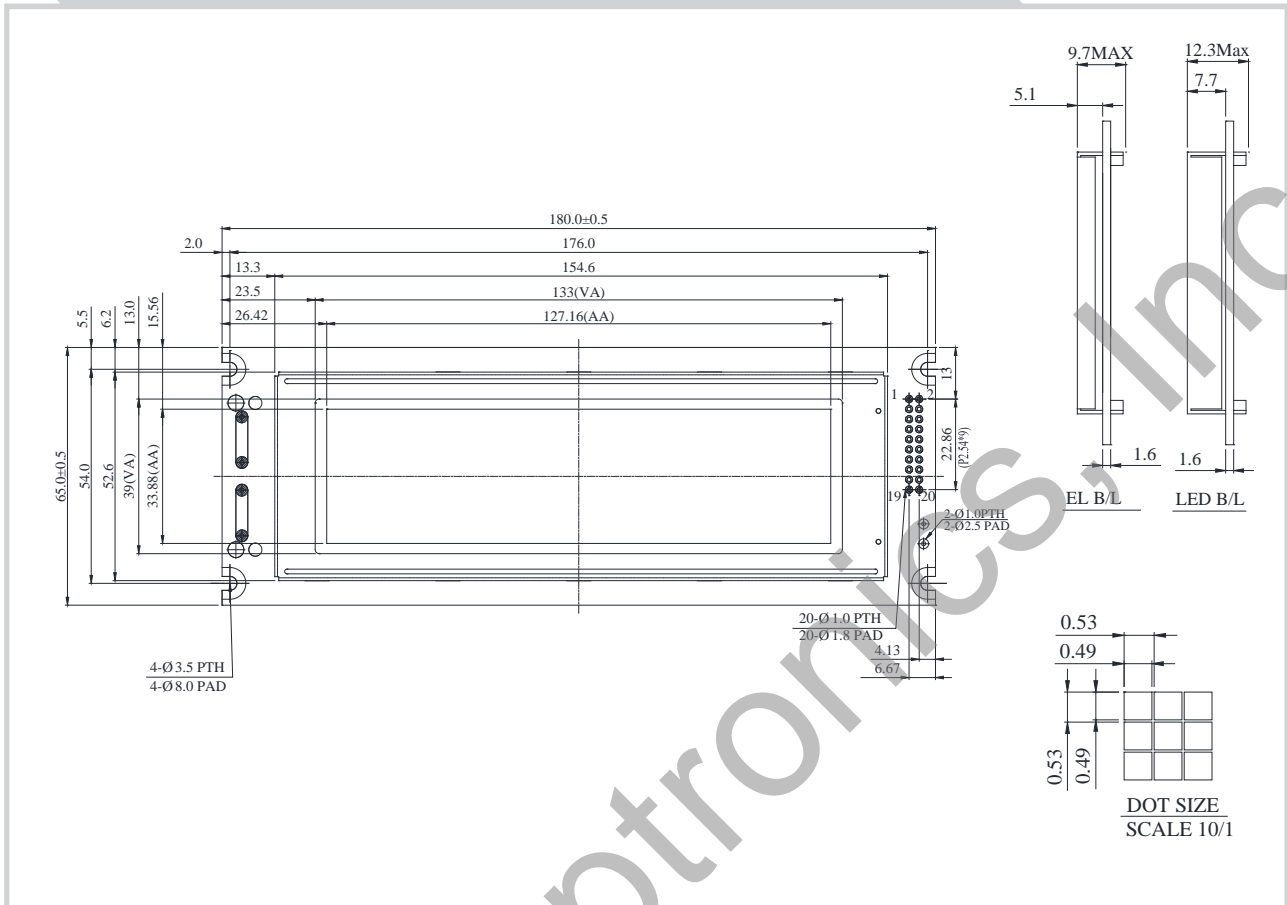


**RG24064A2 Graphic 240x64 dots**



**Feature**

1. Built-in controller RA6963 or Equivalent
2. 5V power supply
3. 1/64 duty cycle
4. Built-in N/V
5. Interface: 8080

| Pin No. | Symbol          | Description                                |
|---------|-----------------|--|
| 1       | FG              | Frame ground                               |
| 2       | V <sub>SS</sub> | Ground                                     |
| 3       | V <sub>DD</sub> | Power supply for logic                     |
| 4       | V <sub>O</sub>  | Contrast Adjustment                        |
| 5       | /WR             | Data write. Write data into LCD Controller |
| 6       | /RD             | Data read. Read data from LCD Controller   |
| 7       | /CE             | Enable signal                              |
| 8       | C/D             | Data/ Instruction select signal            |
| 9       | V <sub>EE</sub> | Negative Voltage Output                    |
| 10      | /RESET          | Controller reset signal, Active Low        |
| 11      | DB0             | Data bus line                              |
| 12      | DB1             | Data bus line                              |
| 13      | DB2             | Data bus line                              |
| 14      | DB3             | Data bus line                              |
| 15      | DB4             | Data bus line                              |
| 16      | DB5             | Data bus line                              |
| 17      | DB6             | Data bus line                              |
| 18      | DB7             | Data bus line                              |
| 19      | FS              | Selection of font; H : 6 * 8 , L : 8 * 8   |
| 20      | NC              | No connection                              |

**Mechanical Data**

| Item             | Standard Value | Unit |
|------------------|----------------|------|
| Module Dimension | 180.0 x 65.0   | mm   |
| Viewing Area     | 133.0 x 39.0   | mm   |
| Mounting Hole    | 176.0 x 54.0   | mm   |
| Dot Pitch        | 0.53 x 0.53    | mm   |
| Dot Size         | 0.49 x 0.49    | mm   |

**Electrical Characteristics**

| Item  | Symbol                          | Standard Value | Unit |
|---|---------------------------------|----------------|------|
|   |                                 | typ.           |      |
| Input Voltage   | V <sub>DD</sub>                 | 3/5            | V    |
| Recommended LCD Driving Voltage for Normal Temp. Version module @25°C | V <sub>DD</sub> -V <sub>O</sub> | 12.5           | V    |