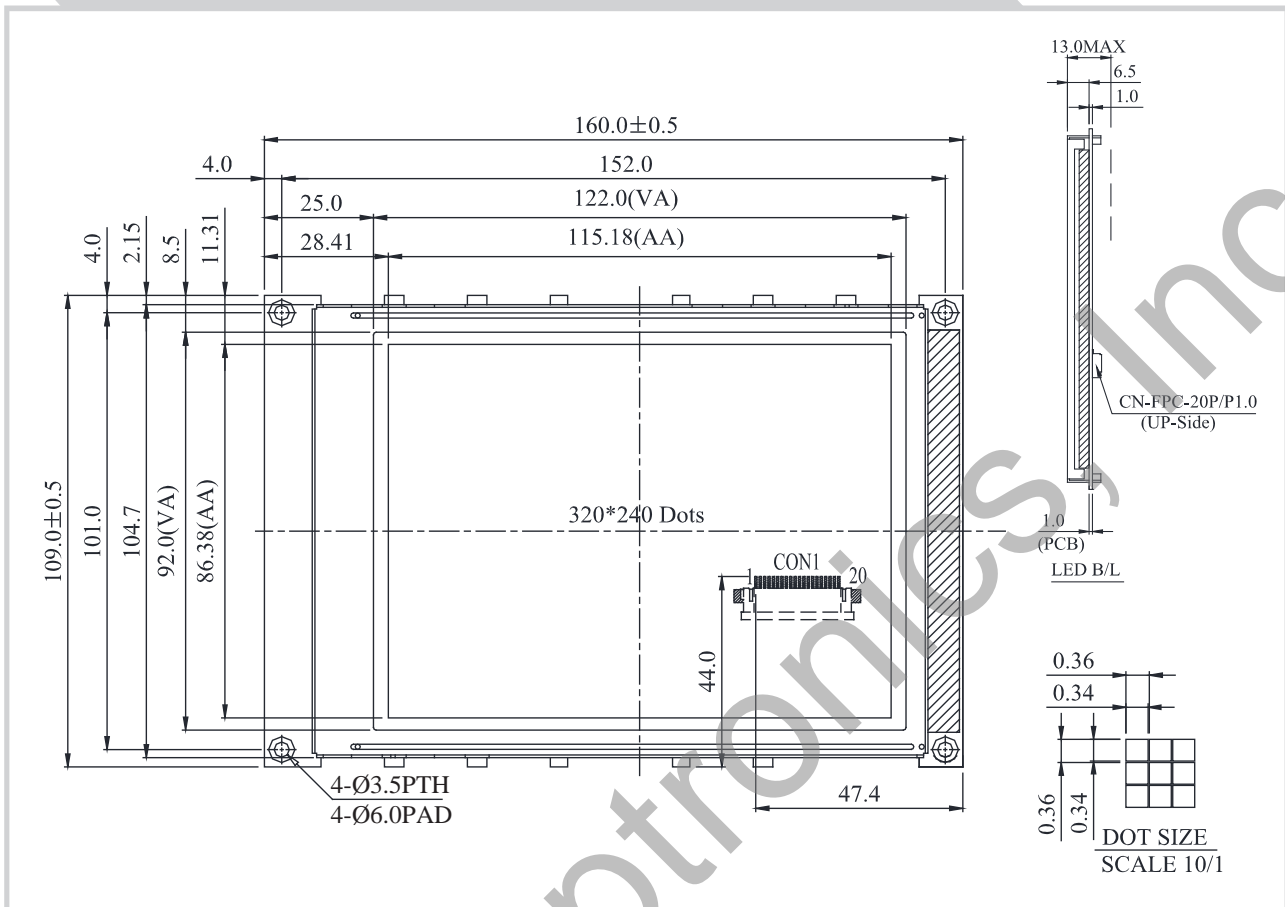


RG320240A1 Graphic 320x240 dots



Feature

1. Built-in controller RA8835 or Equivalent
2. Built-in Negative voltage generator
3. 1/240 duty cycle
4. Interface: 6800/8080
5. Touch screen option (analog type)
6. Temperature compensation option

Pin No.	Symbol	Description
1	V _{SS}	Ground
2	V _{DD}	Power supply for logic
3	V _O	Contrast Adjustment
4	A0	Data/ Instruction select signal
5	/WR	Data write. Write data into LCD Controller
6	/RD	Data read. Read data from LCD Controller
7~14	DB0~DB7	Data bus line
15	/CS	Chip select input pins
16	/RES	Controller reset signal, Active Low
17	V _{EE}	Negative Voltage Output
18	SEL	Interface selection 6800/8080
19	FG	Frame ground
20	NC	No connection

Mechanical Data

Item	Standard Value	Unit
Module Dimension	160.0 x 109.0	mm
Viewing Area	122.0 x 92.0	mm
Mounting Hole	152.0 x 101.0	mm
Dot Pitch	0.36 x 0.36	mm
Dot Size	0.34 x 0.34	mm

Electrical Characteristics

Item	Symbol	Standard Value	Unit
		typ.	
Input Voltage	VDD	5.0	V
Recommended LCD Driving Voltage for Normal Temp. Version module @25°C	VDD-V _O	23.6	V