



RAYSTAR

曜凌光電股份有限公司

Web: www.raystar-optronics.com E-mail: sales@raystar-optronics.com

RX320240D

SPECIFICATION

General Specification

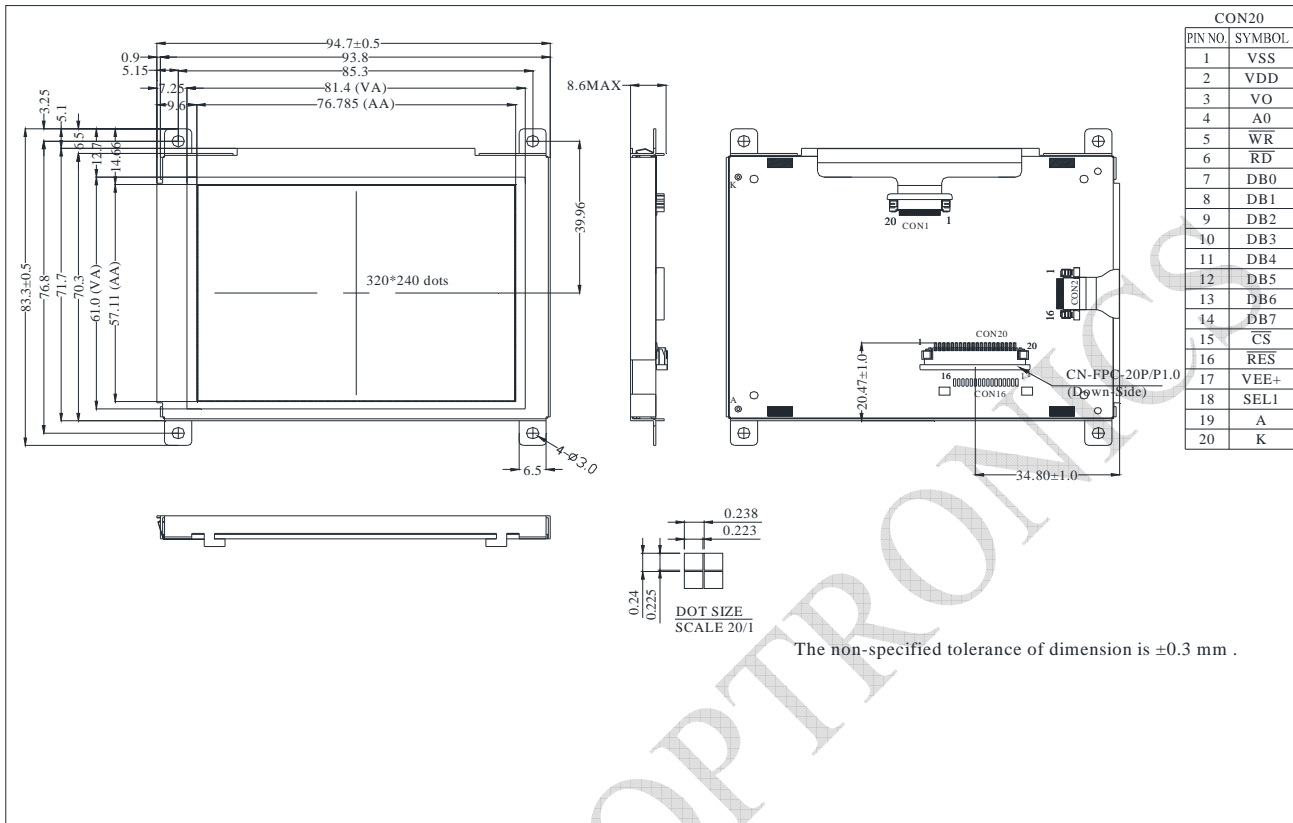
The Features is described as follow:

- Module dimension: 94.7 x 83.3 x 8.6(max) mm
- View area: 81.4 x 61.0 mm
- Active area: 76.785 x 57.11 mm
- Number of dots: 320 x 240
- Dot size: 0.223 x 0.225 mm
- Dot pitch: 0.238 x 0.24 mm
- Duty: 1/240
- Backlight Type: LED
- IC: RA8835

Interface Pin Function

Pin No.	Symbol	Level	Description
1	V _{SS}		Ground
2	V _{DD}		Power supply for Logic
3	V _O	(Variable)	Operation voltage LCD driving
4	A ₀	H/L	H:Data L:Instruction
5	$\overline{\text{WR}}$	H	8080 family: Write signal, 6800 family: R/W signal
6	$\overline{\text{RD}}$	L	8080 family: Read signal, 6800 family: Enable clock
7-14	DB0-DB7	H/L	DB0 Data bus line
15	$\overline{\text{CS}}$	H/L	Chip Enable
16	$\overline{\text{RES}}$	H/L	Reset
17	VEE		Positive voltage output
18	SEL1	H/L	8080 OR 6800 Family Interface Select ; H:68xx , L:80xx
19	A		Power supply for B/L+
20	K		Power supply for B/L-

Contour Drawing & Block Diagram



RAYSTAR OPTRO

Absolute Maximum Ratings

Item	Symbol	Min	Typ	Max	Unit
Operating Temperature	T_{OP}	-20	—	+70	°C
Storage Temperature	T_{ST}	-30	—	+80	°C
Supply Voltage For Logic	$V_{DD}-V_{SS}$	-0.3	—	7.0	V
Input Voltage	V_{IN}	-0.3	—	$V_{DD}+0.3$	V
Supply Voltage For LCD	$V_{DD}-V_0$	0	—	32	V

Electrical Characteristics

Item	Symbol	Condition	Min	Typ	Max	Unit
Supply Voltage For Logic	$V_{DD}-V_{SS}$	—	3.0	3.3	3.6	V
	$V_{DD}-V_{SS}$	—	4.7	5.0	5.3	V
Supply Voltage For LCD	V_{OP}	$T_a=-20^{\circ}\text{C}$	—	—	—	V
		$T_a=25^{\circ}\text{C}$	22.7	23.0	23.3	V
		$T_a=70^{\circ}\text{C}$	—	—	—	V
Input High Volt.	V_{IH}	—	$0.5V_{DD}$	—	V_{DD}	V
Input Low Volt.	V_{IL}	—	V_{SS}	—	$0.2V_{DD}$	V
Output High Volt.	V_{OH}	—	$V_{DD}-0.4$	—	—	V
Output Low Volt.	V_{OL}	—	—	—	$V_{SS}+0.4$	V
Supply Current	I_{DD}	$V_{DD}=3.3\text{V}$	—	63.5	100.0	mA
	I_{DD}	$V_{DD}=5.0\text{V}$	—	52.0	80.0	mA