

TFT DISPLAY SPECIFICATION



RAYSTAR

RAYSTAR Optronics, Inc.
曜凌光電股份有限公司



曜凌光電股份有限公司 Raystar Optronics, Inc.

T: +886-4-2565-0761 | F: +886-4-2565-0760

salescontact@raystar-optronics.com | www.raystar-optronics.com

RFF1020Q-1IW-DBN

General Specifications

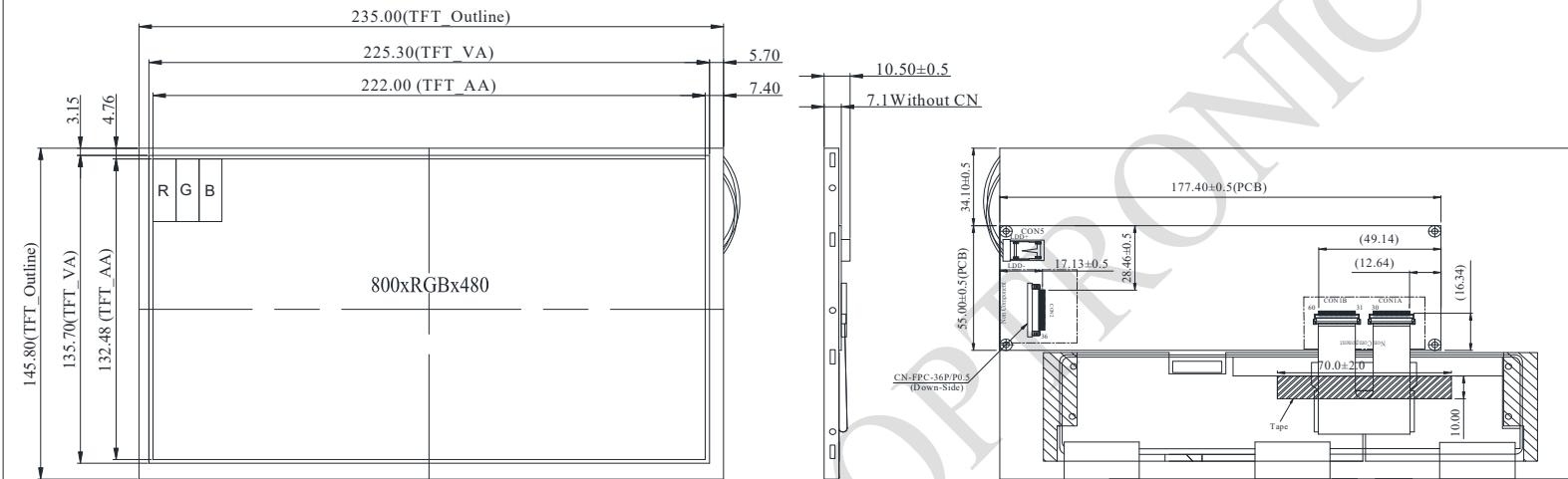
- Size: 10.2 inch
- Dot Matrix: 800 RGB x 480 dots
- Module dimension: 235.0 (H) x 145.0 (V) x 10.5 (D) mm
- Active area: 222.0(W) × 132.48(H) mm
- Dot pitch: 0.0925(W) × 0.276(H) mm
- LCD type: TFT, Normally White, Transmissive
- View Direction: 12 o'clock
- Gray Scale Inversion Direction: 6 o'clock
- Aspect Ratio: 16:9
- Backlight Type: LED, Normally White
- Controller IC: SSD1963
- Interface: Digital 8080 family MPU 8bit/16bit
- Touch Panel: Without Touch Panel
- Surface: Anti-Glare

Interface

LCM PIN Definition (CON2)

Pin	Symbol	Function
1	GND	System ground pin of the IC . Connect to system ground.
2	VDD	Power Supply : +3.3V
3	BLE	Backlight control signal , H: On \ L: Off
4	D/C	Data/Command select
5	WR	Write strobe signal
6	RD	Read strobe signal
7	DB0	Data bus
8	DB1	Data bus
9	DB2	Data bus
10	DB3	Data bus
11	DB4	Data bus
12	DB5	Data bus
13	DB6	Data bus
14	DB7	Data bus
15	DB8	Data bus (When select 8bits Mode, this pin is NC)
16	DB9	Data bus (When select 8bits Mode, this pin is NC)
17	DB10	Data bus (When select 8bits Mode, this pin is NC)
18	DB11	Data bus (When select 8bits Mode, this pin is NC)
19	DB12	Data bus (When select 8bits Mode, this pin is NC)
20	DB13	Data bus (When select 8bits Mode, this pin is NC)
21	DB14	Data bus (When select 8bits Mode, this pin is NC)
22	DB15	Data bus (When select 8bits Mode, this pin is NC)
23	NC	No connect
24	NC	No connect
25	CS	Chip select
26	RST	Hardware reset
27	L/R	Left / right selection; Default L/R=H
28	U/D	Up/down selection; ; Default U/D=L
29	NC	No connect
30	NC	No connect
31	NC	No connect
32	NC	No connect
33	VLED-	Power for LED Driver IC(GND)
34	VLED-	Power for LED Driver IC(GND)
35	VLED+	Power for LED Driver IC(+5V)
36	VLED+	Power for LED Driver IC(+5V)

Contour Drawing



PIN NO.	SYMBOL
1	GND
2	VDD
3	BL_E
4	D/C
5	WR
6	RD
7	DB0
8	DB1
9	DB2
10	DB3
11	DB4
12	DB5
13	DB6
14	DB7
15	DB8
16	DB9
17	DB10
18	DB11
19	DB12
20	DB13
21	DB14
22	DB15
23	NC
24	NC
25	CS
26	RESET
27	LR
28	UD
29	NC
30	NC
31	NC
32	NC
33	VLED-
34	VLED-
35	VLED+
36	VLED+

The non-specified tolerance of dimension is $\pm 0.3\text{mm}$.

Absolute Maximum Ratings

Item	Symbol	Min	Typ	Max	Unit
Operating Temperature	TOP	-20	—	+70	°C
Storage Temperature	TST	-30	—	+80	°C

Electrical Characteristics

Operating conditions (CON2.Pin1=GND, Pin2=VDD)

Item	Symbol	Condition	Min	Typ	Max	Unit
Supply Voltage For LCM	VDD	—	3.0	3.1	3.3	V
Supply Current For LCM	IDD	—	—	160	225	mA